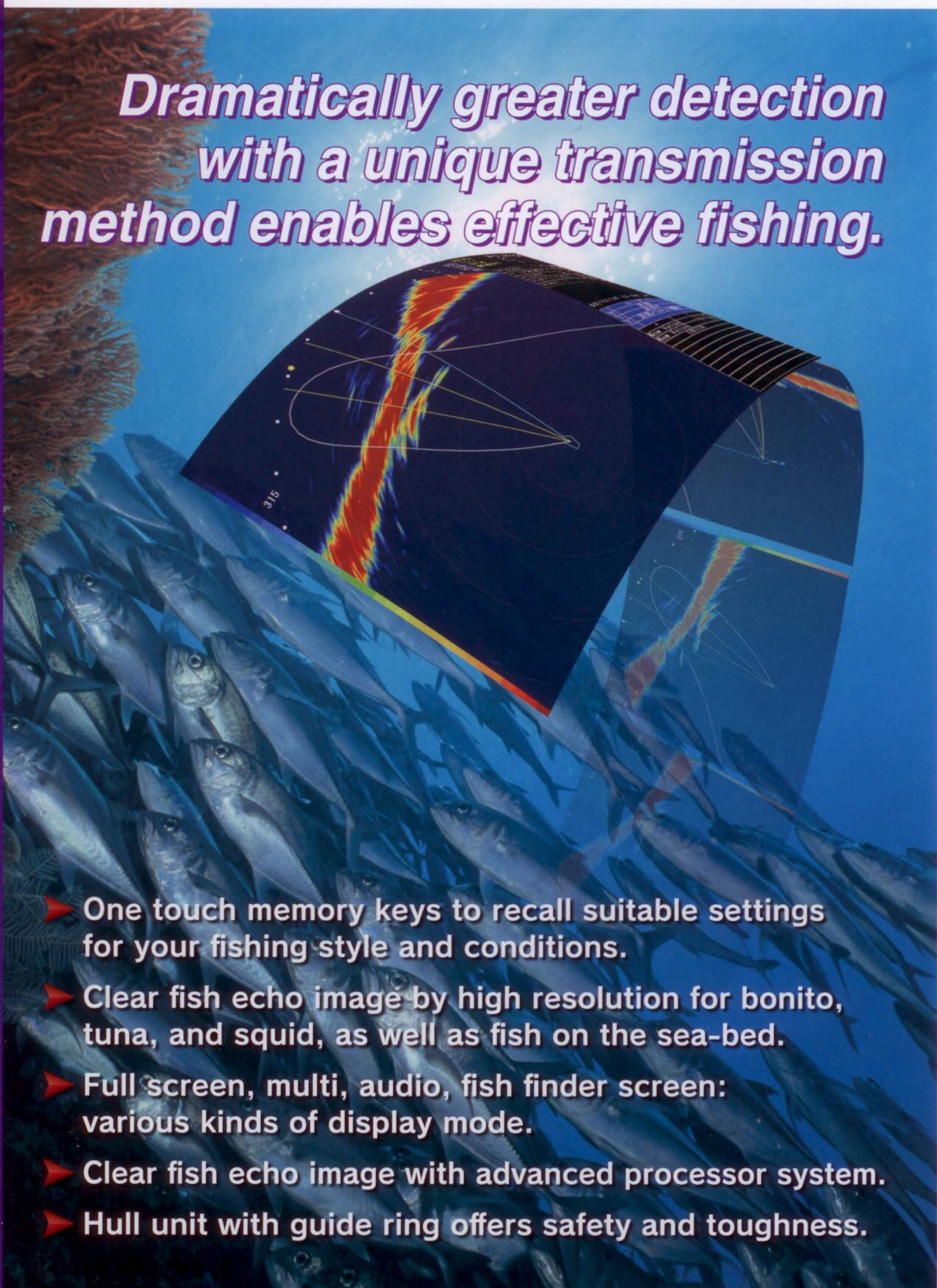


KAIJO SONIC CORPORATION

Half Scanning Sonar 3000 series
Half, High Frequency, High Resolution

KCH-3180

*Dramatically greater detection
with a unique transmission
method enables effective fishing.*

- 
- ▶ One touch memory keys to recall suitable settings for your fishing style and conditions.
 - ▶ Clear fish echo image by high resolution for bonito, tuna, and squid, as well as fish on the sea-bed.
 - ▶ Full screen, multi, audio, fish finder screen: various kinds of display mode.
 - ▶ Clear fish echo image with advanced processor system.
 - ▶ Hull unit with guide ring offers safety and toughness.

Specifications of KCH-3180

Display section:

PPI image by TFT liquid crystal color display

Frequency:

KCH-3180 Pb: 164kHz

KCH-3180 Pc: 174kHz

KCH-3180 Pd: 184kHz

Display resolution:

SXGA(1280×1024)

Display colors:

Sonar image —32-color display

Character —4-color display

Marker —2-color display

Display modes:

Head-up, north-up, and true motion (*External signals are necessary)

Additional modes:

off-center (enlarged 1.5 times in a desired direction)

Simultaneous screen modes:

Full screen, multiple screen, Audio image, fish finder image

Ranges:

Any 10 ranges can be selected out of 150,200, 250, 300, 400, 500, 600, 700, 800, 900, 1000, 1200, 1400, 1500, 1600, 1800, 2000, 2500, 3000, 4000, and 5000.

The range is enlarged 1.5 times for off-center.

Receiving method :

Super heterodyne method, real-time beam method, and forming method

Transmission method :

OMNI transmission

Audio frequency:

800Hz

Tilt angle range:

0° ~ -90° can be selected by mechanic circuit control

Rotation:

Mechanically variable in a range between ± 175degrees

Beam (at -3dB):

Transmission-Horizontal 360° × 6°

Receiving-Horizontal 6° × 6°

Additional functions:

Interference elimination, signal processing, clutter, TVG, AGC, memory card, and auto tilt angle functions

Display marks:

Own boat mark, wake mark, cross-line cursor, event mark (max.10 event marks), north mark, direction mark, cast-net mark, tidal current mark and other marks. (*Some marks are displayed only when external signals are input.)

External signal input:

NMEA0183 Four inputs available with NMEA 0183, while Kaijo's devices are connected for 2 inputs.

NMEA0183 Own boat position, boat speed, boat speed bearing, seabed depth, sea water temperature, and bow bearing

Kaijo's devices:

IF-17 and GC-21

Hoist unit stroke:

LL=1000mm

Power supply:

Processing Single-phase 100~200VAC, 50/60 Hz, and 400VA

Receiving Single-phase 220VAC, 50/60 Hz, and 600VA

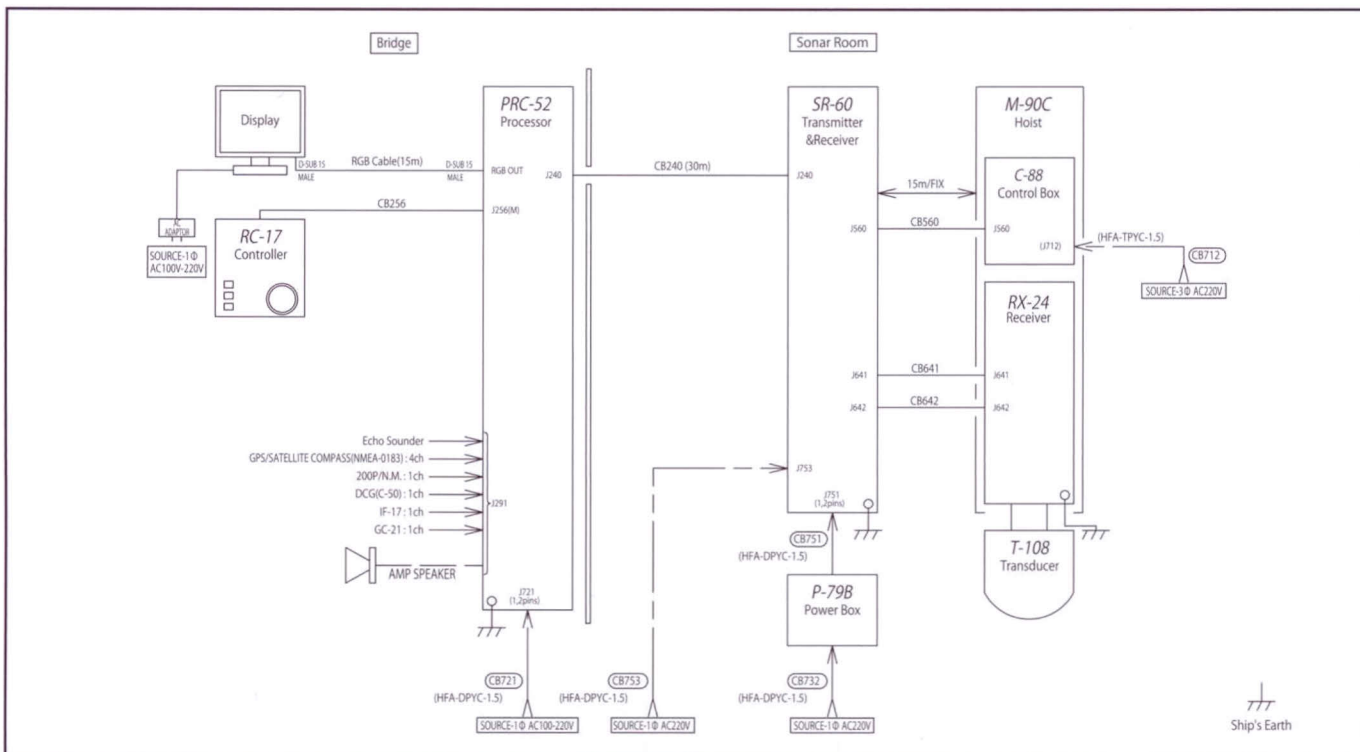
Sending Single-phase 220VAC, 50/60Hz, and 1500VA

Hoist unit 3-phase 220VAC, 50/60Hz, and 750VA

Measurement(W×H×D) & Weight:

I-125 LCD	477mm×450mm×210mm	14Kg
RC-17 Remote Controller	246mm×158mm×46mm	1Kg
PRC-52 Processor	280mm×450mm×388mm	21Kg
SR-60 TX/RX Unit	910mm×534mm×445mm	113Kg
P-79B Power Box	215mm×335mm×153mm	12Kg
M-90C-LL Hoist	690mm×2950mm×560mm	400Kg

(With T-108 Transducer)



SAFETY PRECAUTION : Please be sure to read the Instruction Manual before operating

● Specifications are subject to change without prior notice for improvement.



KAIJO SONIC CORPORATION

5TH FLOOR, SHINKOMUSIC PLAZABLDG, 2-1,
Kanda-Ogawamachi, Chiyoda-ku, Tokyo, JAPAN 101-0052
TEL +81-3-3294-7615 FAX+81-3-3294-7630

Head Office

19-6, Higashimatsubara, Hakonegasaki,
Mizuho-machi, Nishitama-gun, Tokyo, JAPAN 190-1222
TEL +81-42-568-3200 FAX+81-42-568-3300

OVERSEAS DISTRIBUTOR