

Display section:
PPI image by TFT liquid crystal color display

Frequency:
KCS-3881 Lb: 88kHz
KCS-3881 Lc: 94kHz

Display resolution:
SXGA(1280×1024)

Display colors:
Sonar image—32-color display
Character—4-color display
Marker—2-color display

Display modes:
Head-up, north-up, and true motion (*External signals are necessary)

Additional modes:
Stabilization (±20-degree compensation), off-center (enlarged 1.5 times in a desired direction)

Simultaneous screen modes:
Vertical section screen (1 direction, 2directions, enlarged screen), sonar 2 directions (lengthwise, crosswise), memory image, audio image, Full screen, multiple screen, fish finder image

Ranges:
Any 15 ranges can be selected out of 150,200, 250, 300, 400, 500, 600, 700, 800, 900, 1000, 1200, 1400, 1500, 1600, 1800, 2000, 2500, 3000, 4000, 5000, 6000, 7000, 8000, 9000 and 10000.
The range is enlarged 1.5 times for off-center. (not available over 7000m)

Receiving method:
Super heterodyne method, real-time beam method, and forming method

Transmission method:
OMNI transmission

Audio frequency:
800Hz

Tilt angle range:
20° upward-60° degrees downward

Section detection range:
0° -60° downward

Beam (at -3dB):
Transmission-Horizontal 360°×6°, Section 12°×60°,
Receiving-Horizontal 8°×8°, Section 10°×12°

Additional functions:
Interference elimination, signal processing, clutter, TVG, AGC, memory card, and auto tilt angle functions.

Display marks:
Own boat mark, wake mark, cross-line cursor, event mark (max.10 event marks), north mark, direction mark, cast-net mark, tidal current mark and other marks. (*Some marks are displayed only when external signals are input.)

External signal input:
NMEA0183 Four inputs available with NMEA 0183.
NMEA0183 Own boat position, boat speed, boat speed bearing, seabed depth, sea water temperature, and bow bearing

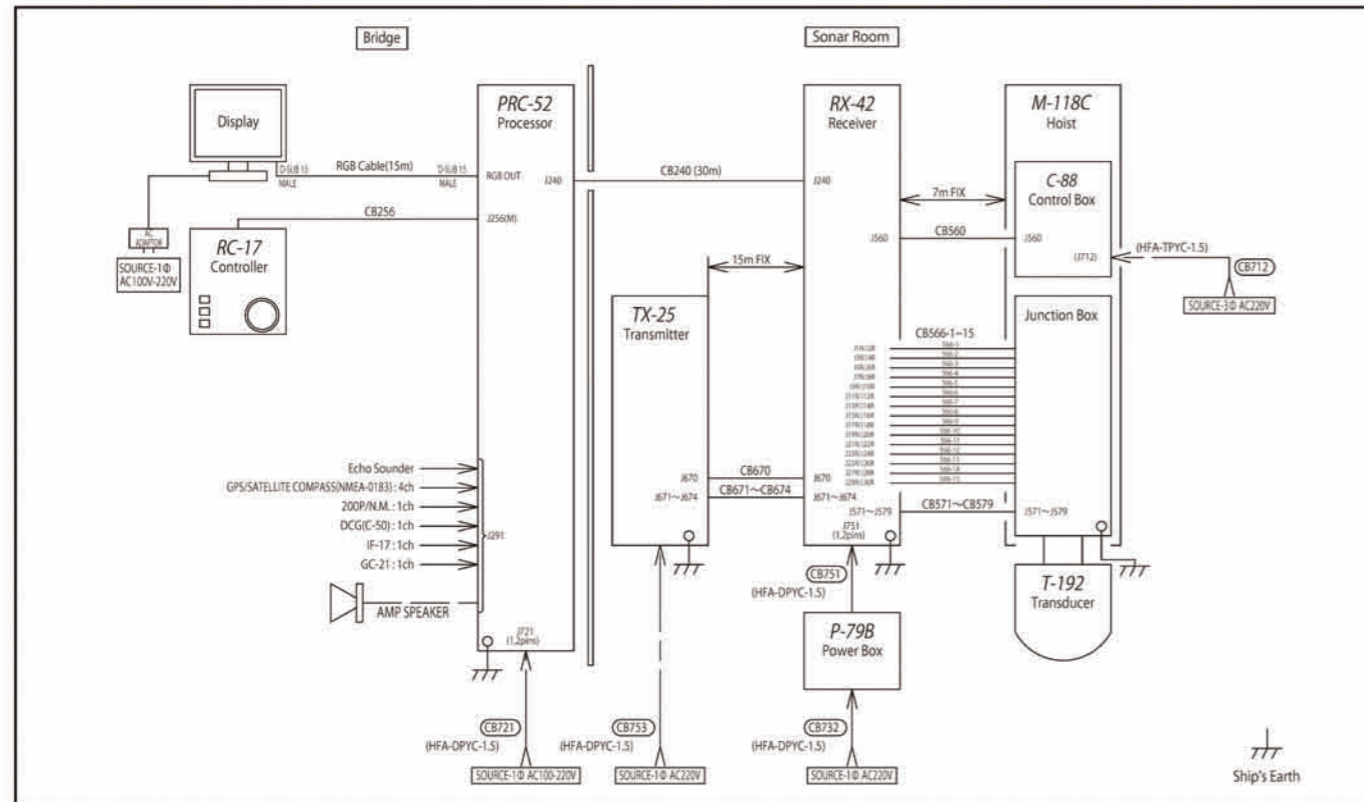
Hoist unit stroke:
LL=1350mm

Power supply:
Processing Single-phase 100~200VAC, 50/60 Hz, and 400VA
Receiving Single-phase 220VAC, 50/60 Hz, and 600VA
Sending Single-phase 220VAC, 50/60Hz, and 500VA
Hoist unit 3-phase 220VAC, 50/60Hz, and 1500VA

Measurement(W×H×D) & Weight:

I-133 LCD	460mm×430mm×345mm	24Kg
RC-17 Remote Controller	246mm×158mm×46mm	1Kg
PRC-52 Processor	280mm×450mm×388mm	21Kg
TX-25 Transmitter	532mm×670mm×440mm	85Kg
RX-42 Receiver	665mm×754mm×445mm	95Kg
P-79B Power Box	215mm×335mm×153mm	12Kg
M-118C-LL Hoist	690mm×3510mm×714mm	510Kg

(With T-192 Transducer)

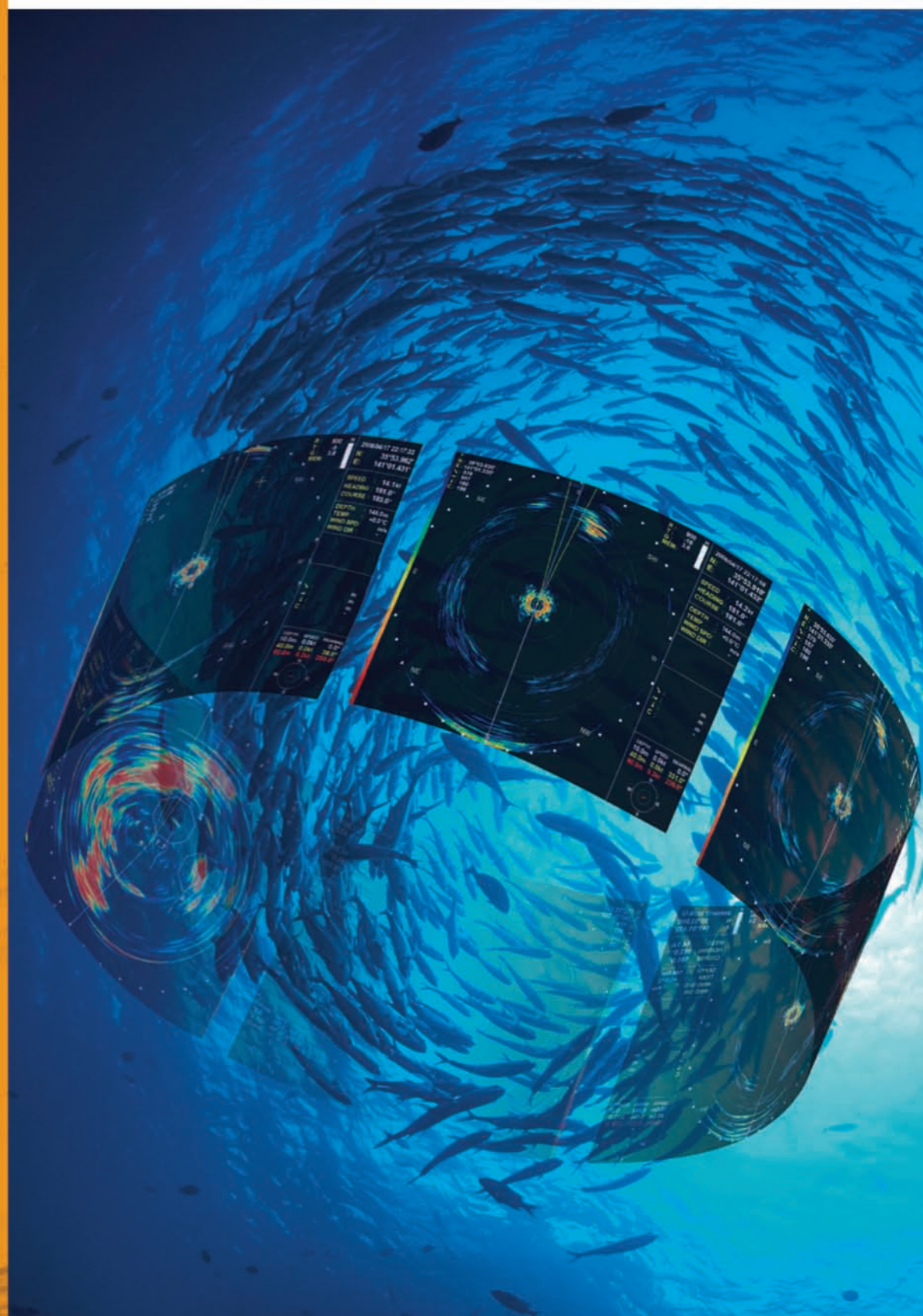


SAFETY PRECAUTION : Please be sure to read the Instruction Manual before operating
●Specifications are subject to change without prior notice for improvement.



Scanning Sonar 3000 series
High Frequency, High Resolution

KCS-3885Z



SONIC CORPORATION
19-6, Higashimatsubara, Hakonegasaki, Mizuho-machi,
Nishitama-gun, Tokyo 190-1222, Japan
TEL:+81-42-568-3208 FAX:+81-42-568-3302
Email:info@u-sonic.co.jp URL:www.u-sonic.co.jp

OVERSEAS DISTRIBUTOR

High Frequency Scanning Sonar!

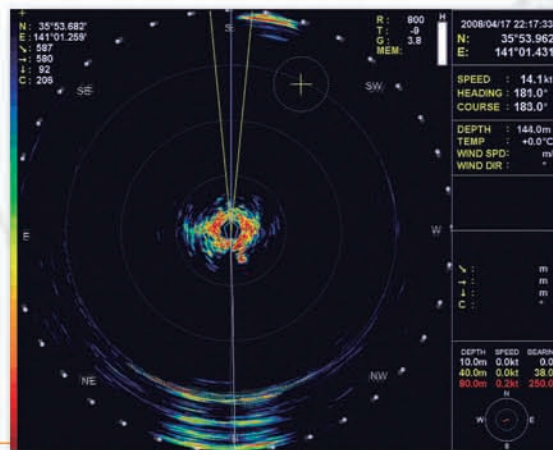
New functions with longer and high resolution detection change your fishing style.

- ➔ One touch memory keys to recall suitable settings for your fishing style and conditions.
- ➔ Multiple display selection with dual portrait or landscape mode.
- ➔ Suitable for bonito, tuna, squid fishing as well as detection for fish on the sea-bed.
- ➔ Stable fish echo image with advanced processor system and stabilize function even under rough sea conditions.
- ➔ New fish tracking and fish volume estimation functions support your effective fishing.
- ➔ On-demand variety kinds of display modes helps your fish detection.
- ➔ Hull unit with guide ring offers safety and toughness.
- ➔ High maintainability and sturdy transducer with a unique dorm-structure.

High frequency sonar for high-grade fish detection.

Our full-circle high frequency sonar is effective in the detection of bonito and tuna.

To follow the swimming speed, it is not good enough to be dependent upon image processing. In other words, a transducer with strong sound pressure and high sensitivity is required. Our sonar achieves a longer detection range by using a transducer arrayed with thousands of elements around its circumference.



Fish detection (sample image)

Compact and easy-to-use remote controller.

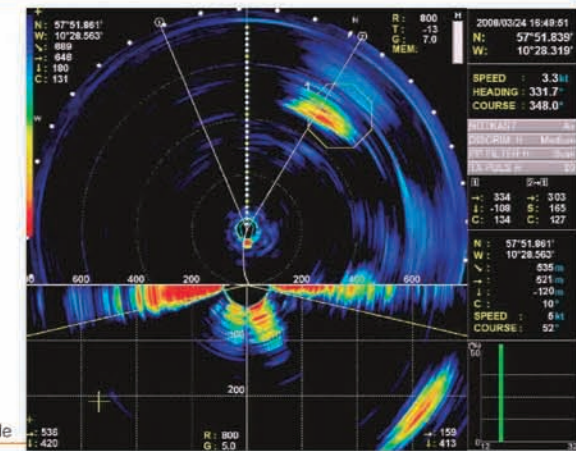
Your favorite maximum 10 different sonar setting patterns can be memorized in <sonar memory> function, which enables you to recall suitable sonar settings for different fishing grounds and fish targets easily with one touch finger operation. The standard normal sonar setting is already memorized in the 11th memory as the default setting which is protected from over-writing, and therefore the standard normal setting can be recalled anytime whenever needed. Five preset keys and a maximum of 8 screen memory keys are for frequent use menu registration.



RC-17 remote controller

Cross section screen with various display modes.

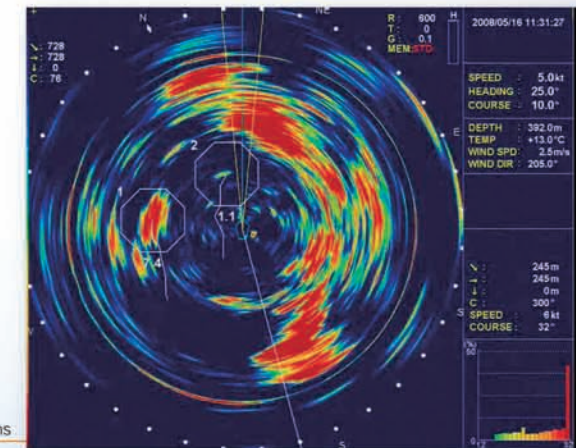
Multiple display modes such as single, dual and magnified screen functions are available for the cross-section mode. Furthermore, the display area in the depth direction is selectable as either large or small. The maximum detection range in the magnified screen mode is 1000m. The ratio between vertical and horizontal directions (distance/depth ratio) can be changed depending on the fishing situation. Thus, detailed fish school data can be provided even in the cross section mode.



Cross section mode

New functions with high resolution and greater detection capability change your fishing style.

A new function to track a maximum of 3 different schools of fish has been added. In addition to showing the distance and bearing based on your own ship, the moving speed and direction of the fish schools are indicated on the screen. The fish volume estimation indicates the estimated amount of target fish schools in figures by setting the fish volume beforehand. These new functions have been developed to support your fishing and fish target selection.



Fish tracking and fish estimation functions

Advanced TX/RX stabilization function

The stabilization function controls the depression angle in small 6.0 degree steps through 360 degree for both transmission and reception.

