



ELECTRICAL SPECIFICATIONS

Input Voltage	24VDC
Power Consumption	≤ 25W
Video Input	VGA / DVI

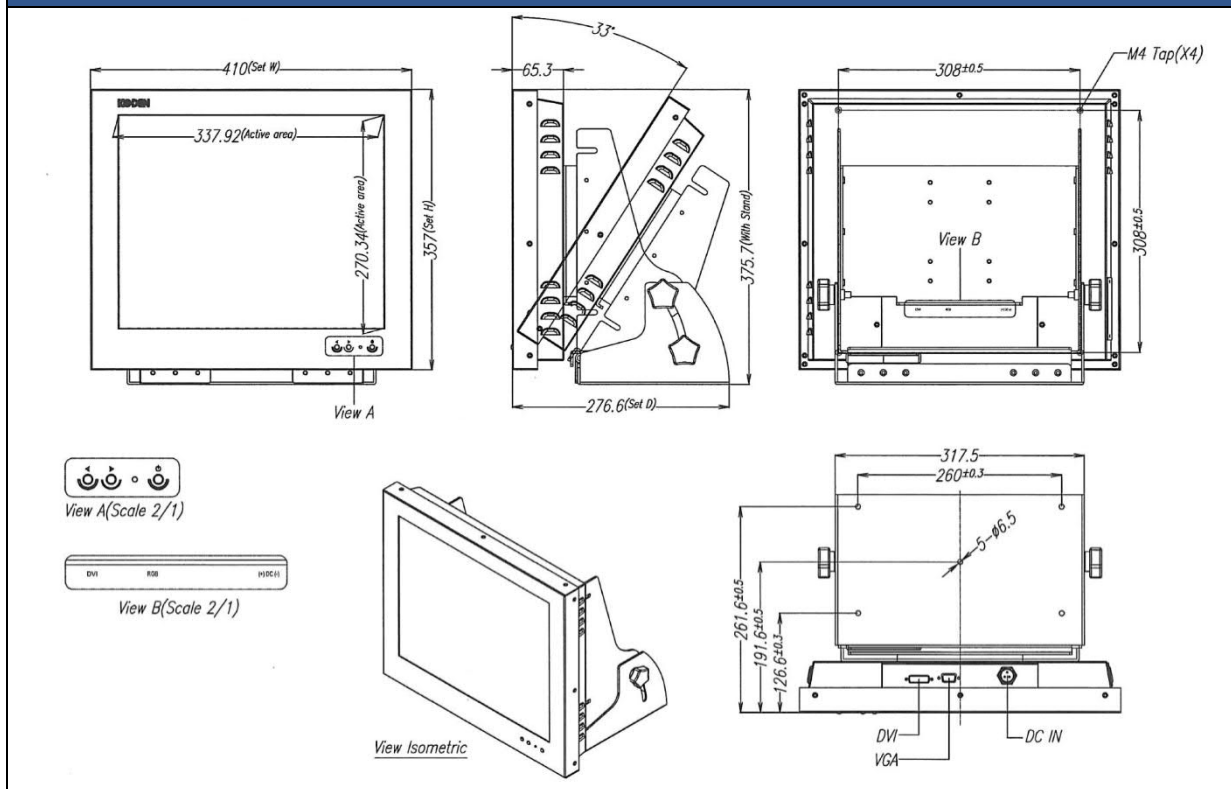
ENVIRONMENTAL SPECIFICATIONS

Operating temp.	Min: 0°C Max: +55°C
Storage temp.	Min: -20°C Max: +60°C
Humidity	Max: 95%

MONITOR SPECIFICATIONS

Monitor type	EFS-1703X
Size	17" (5:4 format)
Dimension (W x H x D)	410 x 357 x 276.6 (mm)
Weight	7.2kg
Max Resolution	1280 x 1024
Refresh Rate	60 Hz
Backlight	LED
Panel Life (Expected)	50 000 hours
Bracket	Included
Package Dimension (W x H x D)	511 x 486 x 439 mm
Package Weight	Approx. 9kg

MONITOR DIMENSIONS



For more details contact: